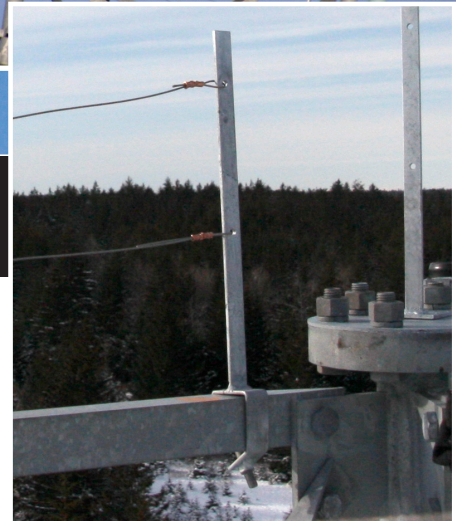


Tower-Guard™ Bird Control for Steel Lattice



Heavy duty steel system keeps large birds off transmission and communication structures.

Bald Eagles were deterred from this tower by the Tower-Guard™ all steel system.

Effective against Eagles, Vultures, Osprey, Gulls, Hawks, Cormorants and Ravens

Any horizontal can be protected with the Tower-Guard™ system.

- Keeps large birds off of towers
- Rugged, hot dipped galvanized construction with welded nut
- Easy to install 'wrap-around design.' In position in seconds
- Captured bracket - cannot fall off
- Stainless steel cable for barrier
- Can be moved, removed and re-installed easily
- Minimal wind load
- Extra brackets can be added to counter ice loading
- Patent pending

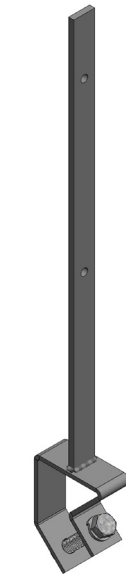
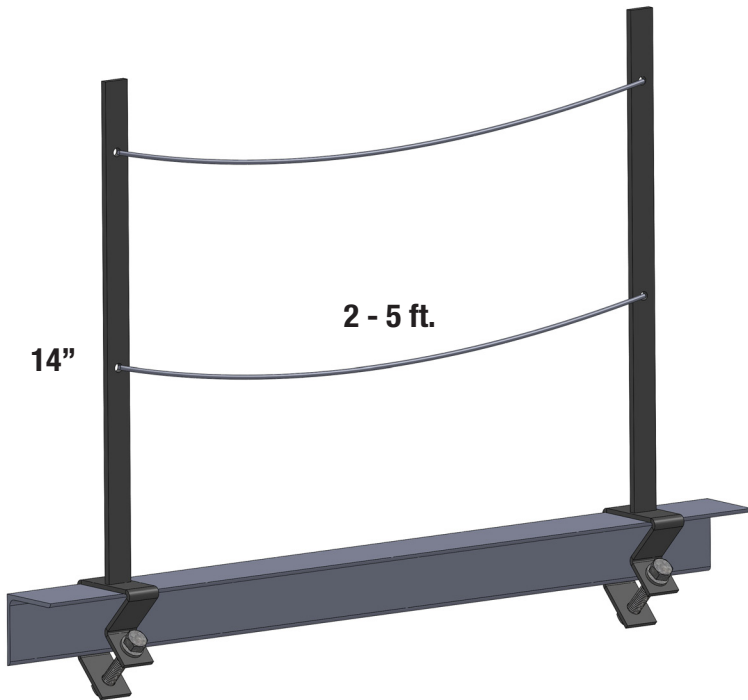
866-247-3963

BIRDZOFF®

© Copyright Birdzoff 2015

www.birdzoff.com

Tower-Guard™ from Birdzoff.



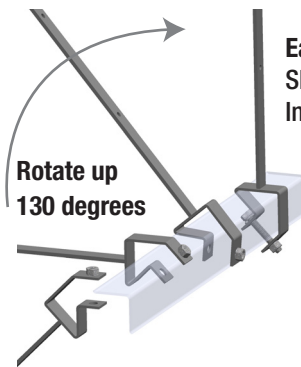
Bracket for blade down.



Bracket for blade up.

Brackets are all hot dipped galvanized.

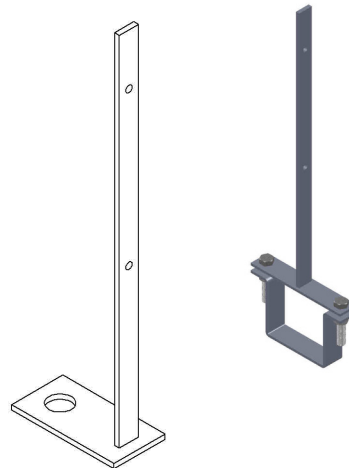
Antenna Arm Bracket



Rotate up 130 degrees

Easy to Install
Slide the bracket around the angle.
Insert bolt and tighten into the welded nut.

Flange Bracket
Eliminates perching on top of the flange.



Antenna Arm Bracket
Cable suspended between two brackets keeps raptors off the antenna arms.



Tools required:
9/16 box end or socket
Cable Cutter (Bird Barrier)
Crimper (Bird Barrier)

Kit includes:
2 brackets with capture bolts
Stainless steel cable (Bird Barrier)
Ferrules for cable (Bird Barrier)

BIRDZOFF

866-247-3963

www.birdzoff.com

© Copyright Birdzoff 2015